

Q30 Series

Ø30mm panel mount LED indicators



DISTINCTIVE FEATURES

- 23.2mm coloured Fresnel lens
- 200 mm long wire terminations
- Rear epoxy sealed



ENVIRONMENTAL SPECIFICATIONS

- Above panel sealing tested to IP67 & IP69K
- Operating & Storage Temperature Range:
Operating temperature: -40 °C to +85 °C (-40 °F to +185 °F)
Storage temperature: -40 °C to +100 °C (-40 °F to +212 °F)



GENERAL SPECIFICATIONS

- Operating voltage: 12 to 24Vac/dc
- Current consumption: 30 mA (nominal across operating voltage range)
- Reverse voltage protection: the indicator has no polarity
- Over-voltage protection: activates at 36 V
- Viewing Angle: 60°
- Life Expectancy: 100,000 hours
- Maximum panel thickness: 9 mm
- Insulation resistance : 4,000 MΩ at 500 VDC



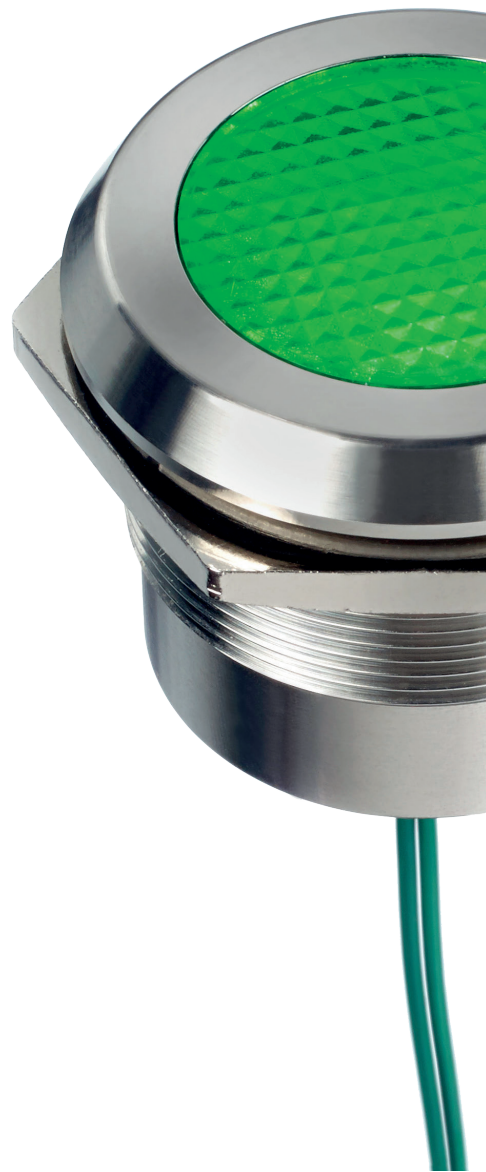
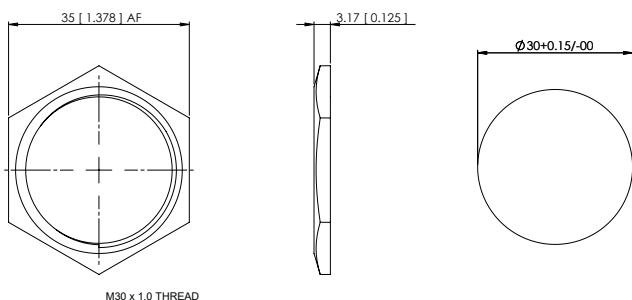
MATERIALS

- Stainless steel 316L body, PC lens, Nitrile o-ring



MOUNTING

- Mounting torque: 75cNm/0.75Nm



Q30 series

Ø30 mm panel mount LED indicators



ELECTRICAL SPECIFICATIONS

STANDARD LED INTENSITY

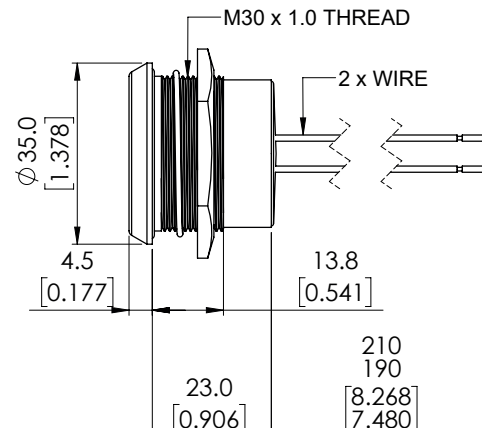
LED COMPONENT SPECIFICATIONS		
	Typical intensity (mcd)	Forward Voltage (Vac/dc)
Red	4000 mcd	7.5
Green	5200 mcd	7.5
Yellow	3800 mcd	7.5
Blue	1300 mcd	7.5
White	5200 mcd	7.5

ADDITIONAL INFORMATION ON LED COMPONENTS

- The operating voltage must not be exceeded by more than 20% as this will result in reduced life expectancy.
- Luminous intensity is measured at 30mA unless otherwise stated.



CONNECTIONS

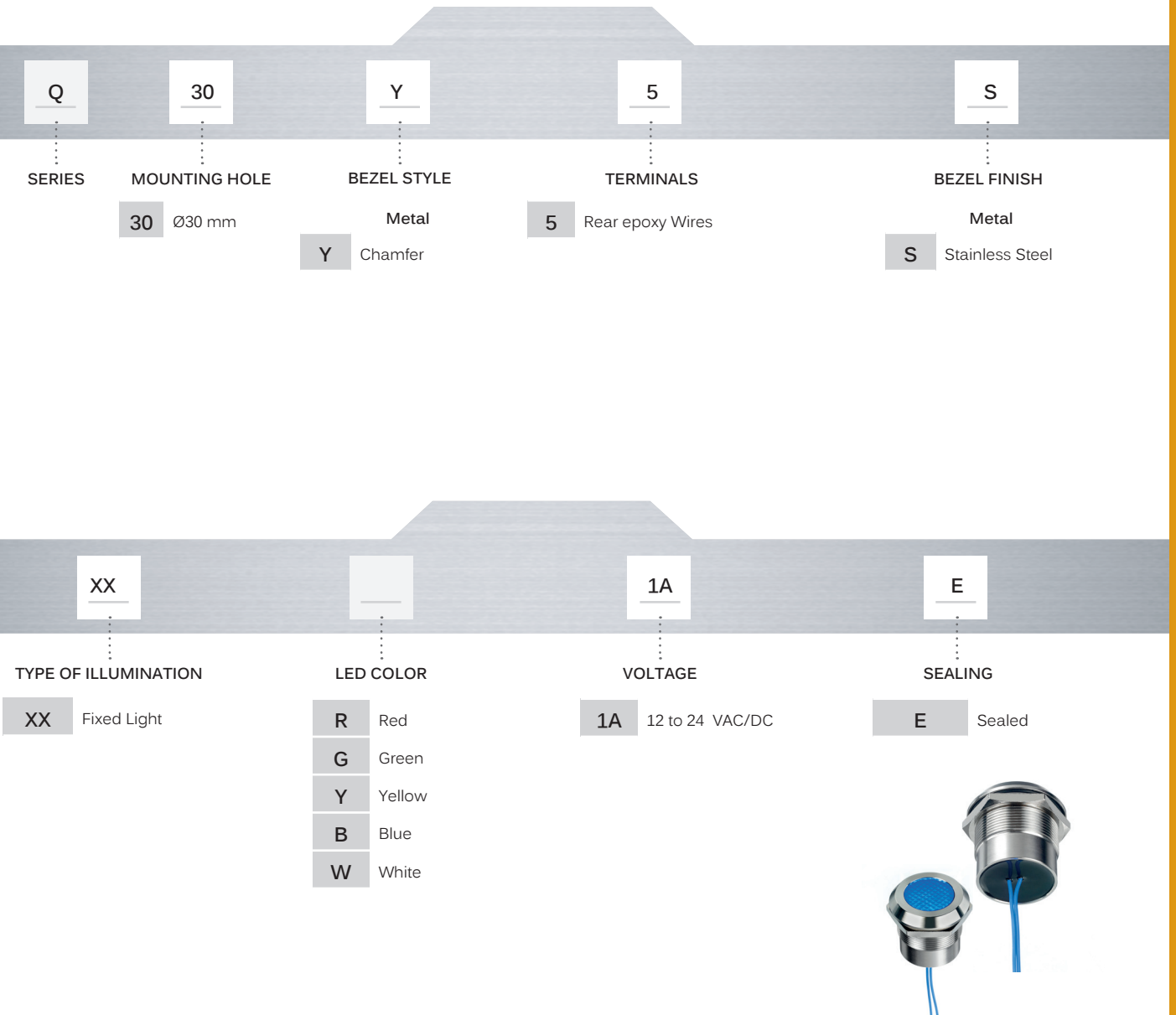


Q30 series

Ø30 mm panel mount LED indicators



BUILD YOUR PART NUMBER



ABOUT THIS SERIES

• Standard wire length is 200 mm, 20 AWG UL1007, for other wire lengths consult APEM.